



Features

- Latest HLL1- series with new LED lens design provide double brightness then HLL series.
- Extremely high luminance, many colors can be selected.
- Low power consumption, low volume occupied and light weight.

Applications

- Light source for various kind of tele-centric lens.
- Replacement for optical fiber light source.
- Light source for microscopes and microscopic application.

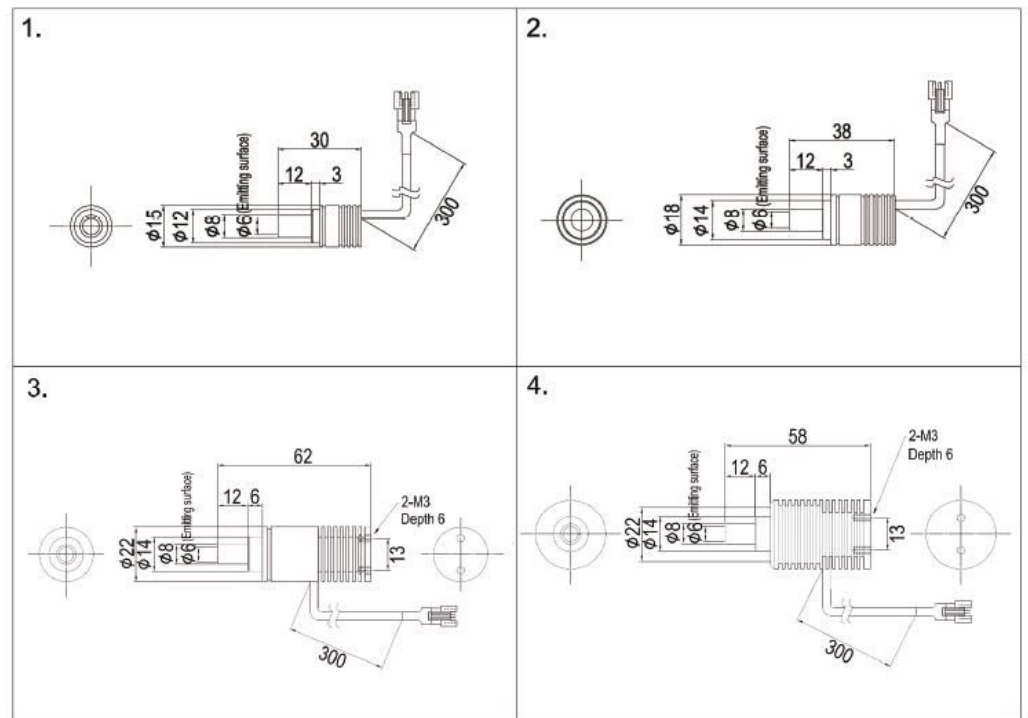
Model Explanation



Available Models

Model	Color	Mounting diameter (mm)	Max. Rated Current IFM(A)	Weight (g)	Dimension
HLL-0.3W8-W/R/G/B	○●●●	∅ 8	0.2	35	1
HLL-1W8-W/R/G/B	○●●●	∅ 8	0.35	65	2
HLL1-3W8-W/R/G/B	○●●●	∅ 8	0.7	145	3
HLL1-5W8-W/R/G/B	○●●●	∅ 8	0.9	165	4

Dimension Diagrams



Lighting Structure

